



2", 3" & 4" Series 170 Filters

Triangle Filtration's Range of 90°, 2", 3" & 4" (50, 80 & 100mm) steel bodied, epoxy coated Filters are suitable for agricultural and industrial applications.



- ✓ High quality plastic and steel construction, with a corrosive resistant oven cured epoxy combination coating, with a minimum thickness of 100 micron over a zinc phosphate layer.
- ✓ Quick easy access for cleaning.
- ✓ Rigid grooved disc filter elements, constructed on large diameter frame.
- ✓ Large effective filter area to reduce cleaning intervals.

2", 3" & 4" Series 170 Filters

TECHNICAL DATA

DESCRIPTION

A water disc filter with grooved plastic discs stacked together to form the filtering element.

The effective filtering area is large because of the special grooved disc structure.

The sediment is stopped on the outer face, and within stacked discs. The clean water flows through these then out of the filter.

This filter has a coated carbon steel body and glass fiber reinforced plastic cover.

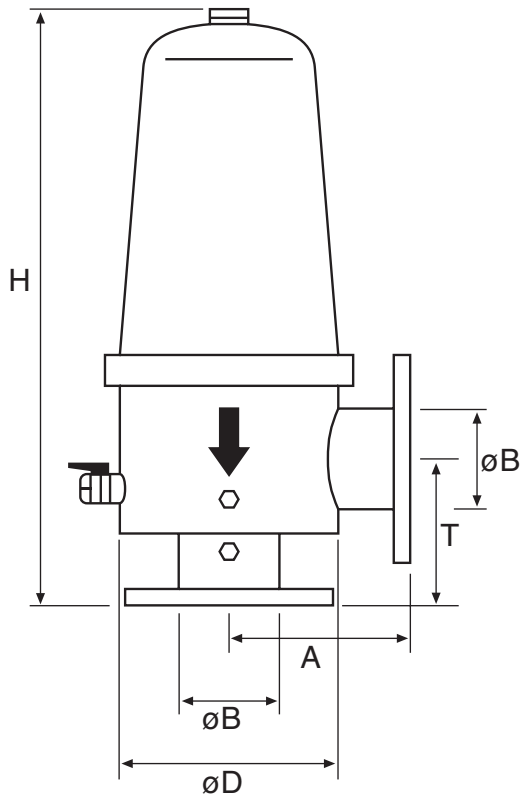
Available in the following sizes: 2", 3", 4".

Each filter is equipped with a drain valve located at the bottom of the filter, with two pressure testing ports, in order to check head loss between inlet and outlet of the filter.

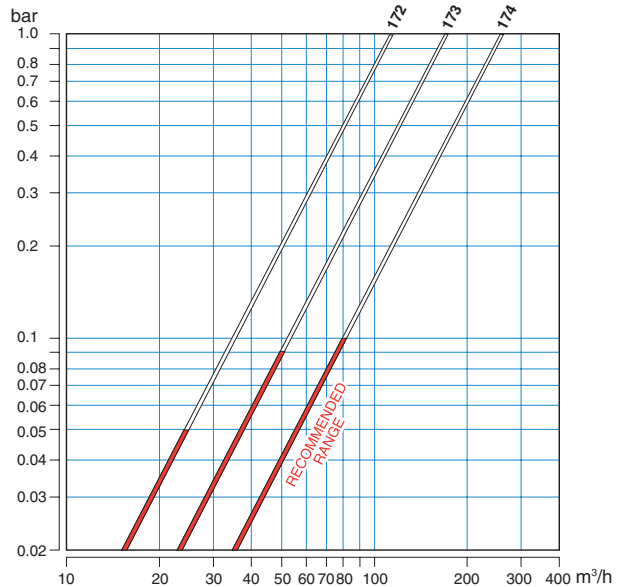
Filter can be installed in any orientation.

The filter body has a 100 micron protective coating of extra durable polyester, applied electrostatically and oven cured on a zinc-phosphate layer for maximum anti-corrosion protection.

- Maximum operating pressure 800Kpa.
- Connections: 2" threaded, 3" & 4" flanged
- Victaulic connection available on request.



HEAD LOSS / FLOW RATE



* 1 bar = 100 kPa = 14.5 psi

* For a clean filter and 120 mesh disc element

MODEL	B		D	A	H	T	WEIGHT	FILTERING AREA cm ²	MAX RECOMMENDED FLOW RATE m ³ /h	DISC COLOUR	MESH GRADE	MICRON
	NOMINAL SIZE											
	mm	inch										
172	50	2"	220	150	520	115	12.5	1100	25	BROWN	60	225
173	80	3"	220	150	560	145	13.5	1610	50	YELLOW	80	180
174	100	4"	220	160	640	205	17.5	2100	80	RED	120	125
										*BLACK	150	100



TRIANGLE FILTRATION
ACN 007 023 323

17 Hinkler Road,
Mordialloc, Vic. 3195, Australia.
Ph: (03) 9580 2122
Fax: (03) 9580 3131
Email: triangle@filtomat.com.au
www.filtomat.com.au

AVAILABLE FROM